



ABSTRACT / ZUSAMMENFASSUNG / ABREGE

03256080.7

A display apparatus (1) includes a base part, a main body, a slider (12) connected to the main body, a guide rail (11) to stand on the base part, and to guide the slider (12) to slide thereon to move the main body up and down. The display apparatus (1) also includes at least one spiral spring having an elasticity enough to support weight of the main body to extend and contract in response to a movement of the slider. Accordingly, the display apparatus (1) has an improved structure of conveniently adjusting a position of the main body due to the slider (12) being slid smoothly along the guide bracket.

BEST AVAILABLE COPY



(19)

Europäisches Patentamt
European Patent Office
Office européen des brevets



(11) EP 1 085 753 A1

(12) EUROPEAN PATENT APPLICATION

(43) Date of publication:
21.03.2001 Bulletin 2001/12

(51) Int Cl.7: H04N 5/64, F16M 11/16,
F16M 11/12, G06F 1/16

(21) Application number: 99117496.2

(22) Date of filing: 13.09.1999

(84) Designated Contracting States:
AT BE CH CY DE DK ES FI FR GB GR IE IT LI LU
MC NL PT SE
Designated Extension States:
AL LT LV MK RO SI

(72) Inventor: Yu, Yiu-Ching
Shih-Lin District, Taipei (TW)

(74) Representative: Beetz & Partner Patentanwälte
Steindorferstrasse 10
80538 München (DE)

(71) Applicant: Inventec Corporation
Shih-Lin District, Taipei (TW)

(54) Electronic data display device

(57) This invention relates to an electric picture frame for showing static digital images data obtained from a digital image apparatus such as a digital camera or a computer. The electric picture frame comprises a liquid crystal display (LCD), a strut unit, a control circuit unit, wherein the liquid crystal display is used to show the static digital images data, and the strut unit comprising a base and a movable apparatus is used to adjust the height, elevation angle, rotation angle, and view direction of the LCD, and the control circuit unit comprising a memory and a microprocessor is not only used to replace the digital images in accordance with demands, but also has many display functions, e.g. display several images simultaneously or sequentially. Moreover, if the electric picture frame is equipped with a microphone and a trumpet, it will be able to attach sound fragments to the images and have the functions of alarm and clock.

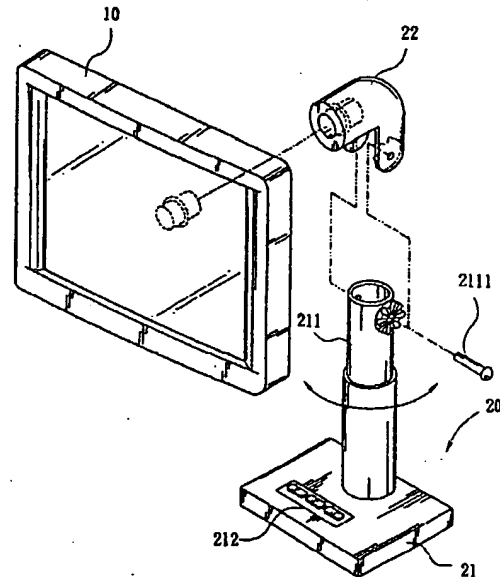


FIG. 4

EP 1 085 753 A1

Description**BACKGROUND OF THE INVENTION****Field of the invention**

[0001] The present invention relates to an electric picture frame, and particularly to an image display apparatus used as a picture frame, for showing static digital images data obtained from a digital image apparatus such as a digital camera or a computer by using a liquid crystal display.

Related Art

[0002] One conventional method for showing images or photographs can be described as follows. By using a camera or a similar apparatus, the captured images can be processed and printed on paper, and then showed by using a picture frame or a similar strut apparatus. The method described above will take much time and steps to get images for showing, and the strut apparatus needs to be broken up and then assemble again while replacing the images or photographs. In comparison with the conventional paper images, the digital images have the characteristic features of being able to be easily edited, stored, and transmitted, and consequently can be more convenient used in many different ways.

[0003] Nowadays, while the technology developing rapidly and the information growing explosively, the computer and the network have been essentials for our living. By using the computer, people can not only process, edit, and store the data, but also transmit and control the data via the network. They can also be used in many different ways while having the advantages of high speed and low cost. Therefore, the communication equipment such as the telephone and the television will be changed to the digital system, and the electric home appliances will also be connected to the computer and the network to make our living more convenient and plentiful.

[0004] Among all of the digitized electric appliances. The digital camera has been heavily developed and widely used. Because of the continuous progress in the digital camera technology, the resolution has been greatly improved, and the storage capacity has also been greatly increased by the outstanding progress in the image compression technology. Furthermore, the digital camera can be directly connected to the computer so as to modify, rearrange, and edit the stored data and then transmit via the network. Accordingly, the capability of the digital camera has greatly surpassed that of the conventional camera or similar apparatus.

[0005] Nevertheless, although the digital images have the advantages of being able to be easily edited and transmitted, moreover, having the figure of arbitrarily rewritable so as to save the consumption of paper, but they can only be showed on the computer display.

In comparison with the conventional photographs, which can be placed in the picture frame or on the wall, there is no such frame-like apparatus can be used to show the digital images without the computer. Nowadays, the most commonly used method to show the digital images in the frame or on the wall is to print them on the paper. But such method will cost too much and lose the advantages mentioned above.

[0006] As described above, it is well known that it is inconvenient to show the digital images without using a computer, furthermore, the conventional picture frame cannot make use of all the advantages of the digital images.

15 OBJECT AND BRIEF DESCRIPTION OF THE INVENTION

[0007] Therefore, the primary object of the present invention is to provide an electric picture frame, by which users can show the static digital images data obtained from the digital camera. Besides the photographs obtained from the digital camera, all the static digital images data obtained from the internet and other digital image apparatus can also be showed by the electric picture frame according to the present invention.

[0008] Accordingly, the digital images may be obtained from many different sources, and it is very convenient to replace them on the display. Moreover, the software of the electric picture frame can be upgraded to improve the display capability, e.g. display several images simultaneously or sequentially. And if the electric picture frame is equipped with a microphone and a trumpet, it will be able to attach sound fragments to the images and have the functions of alarm and clock.

[0009] To achieve the object mentioned above, the electric picture frame according to the present invention comprises a liquid crystal display (LCD) for showing desired static digital images data, a strut unit for supporting the liquid crystal display, and a control circuit unit for receiving the static digital images data obtained from a digital camera or other digital image apparatus such as a computer and driving the liquid crystal display to show such images data. Wherein the control circuit unit also comprises a microphone and a trumpet for recording and playing the sound fragments.

[0010] Further scope of applicability of the present invention will become apparent from the detailed description given hereinafter. However, it should be understood that the detailed description and specific examples, while indicating preferred embodiments of the invention, are given by way of illustration only, since various changes and modifications within the spirit and scope of the invention will become apparent to those skilled in the art from this detailed description.

BRIEF DESCRIPTION OF THE DRAWINGS

[0011] The present invention will become more fully

understood from the detailed description given herein-below illustration only, and thus are not limitative of the present invention, and wherein:

FIG. 1 discloses a front view of an embodiment of the electric picture frame according to the present invention;

FIG. 2 discloses another front view of an embodiment of the electric picture frame according to the present invention;

FIG. 3 discloses a further front view of an embodiment of the electric picture frame according to the present invention;

FIG. 4 is a decomposition diagram of an embodiment of the electric picture frame according to the present invention;

FIG. 5 is a decomposition diagram of another embodiment of the electric picture frame according to the present invention; and

FIG. 6 shows the block diagram of the control circuit unit of the electric picture frame according to the present invention.

DETAILED DESCRIPTION OF THE INVENTION

[0012] With reference to FIG. 1, FIG. 2, and FIG. 3, the electric picture frame according to the present invention comprises a liquid crystal display 10 for showing desired static digital images data, a strut unit 20 for supporting the liquid crystal display 10, and a control circuit unit 30 embedded within the liquid crystal display 10 for receiving the static digital images data obtained from a digital camera or other digital image apparatus such as a computer and driving the liquid crystal display 10 to show images.

[0013] With reference to FIG. 4, the strut unit 20 comprises a base 21, which has an extensible tube 211 and a control panel 212, wherein the extensible tube 211 is attached to the base 21, which is capable of rotating around the base 21 for adjusting the height and the view direction of the liquid crystal display 10, and the control panel 212 has at least one key for instructing the operation of the control circuit unit 30. The strut unit 20 also comprises a movable portion 22, which is used to connect the extensible tube 211 and the liquid crystal display 10, for adjusting the elevation angle and the rotation angle of the liquid crystal display 10, wherein the movable portion 22 is attached to a radial teeth 2112 of the extensible tube 211 by using a plug 2111 so that the movable portion 22 can swing around the joint to adjust the elevation angle of the liquid crystal display 10 from 45 degrees to 90 degrees. The liquid crystal display 10 is connected to the movable portion 22 by using an axle

so that the liquid crystal display 10 can freely rotate around the axle. As shown in FIG. 1 and FIG. 2, if the desired static digital images data is preferable to be shown in transverse direction, then the liquid crystal display 10 can be rotated to transverse direction, and similarly if the static digital images data is preferable to be shown in vertical direction, then the liquid crystal display 10 can be rotated to vertical direction. Moreover, as shown in FIG. 3, the liquid crystal display 10 can also be rotated to 60 degrees or 120 degrees for showing the images on a slant. Furthermore, as shown in FIG. 5, the movable portion 22 may be a spherical joint comprising a screw nut 221 and a connector 222, wherein the spherical end of the connector 222 is covered by the screw nut 221 and attached to a tube 213 of the base 21 by using the screw nut 221. The cylindrical end of the connector 222 can be pierced through the screw nut 221 and connect to a screw bolt 11 protruding from the backside of the liquid crystal display 10. Therefore, the liquid crystal display 10 can rotate around the joint of the connector 222 and the tube 213 to arbitrarily adjust the elevation angle, the view direction, and the rotation angle of the liquid crystal display 10.

[0014] The graph shown in FIG. 6 is the block diagram of the control circuit unit 30 of the electric picture frame according to the present invention, which comprises a transmission interface 31, which may be a slot of RS232, USB, PCMCIA, MO, or flash card, for receiving the static digital images data obtained from a digital camera or other digital image apparatus such as a computer, and a decoder, which in the preferred embodiment is a JPEG decoder 32, for converting the received static digital images data to RGB format data, and a memory, which in the preferred embodiment is a flash memory 33, for storing the RGB format data decoded by the JPEG decoder 32, and a microprocessor 34 for controlling the transmission interface 31 and the JPEG decoder 32 to receive and decode the static digital images data, and a display driver 35, which can drive the liquid crystal display 10 to visualize the RGB format data.

[0015] When users want to use the electric picture frame according to the present invention for showing static digital images data, they can use the slot of RS232, USB, PCMCIA, MO or flash card to obtain the static digital images data. While the microprocessor 34 detecting that there has been static digital images data appearing on the transmission interface 31, it will instruct the JPEG decoder 32 to decode such images data, and then the decoded static digital images data will be stored into the flash memory 33 so that such decoded images data can be replaced arbitrarily. Therefore, users can arbitrarily select the desired static digital images data by using the control panel 212, and according to the selection of users, the microprocessor 34 will then instruct the JPEG decoder 32 to decode the corresponding RGB format data and output to the display driver 35, by which the liquid crystal display 10 can be driven for

showing.

[0016] With reference to FIG. 6, the control circuit unit 30 also comprises a microphone 36 for recording sound fragments, a codec (encoder/decoder) 37, which is controlled by the microprocessor 34 and connected to the microphone 36, for encoding/decoding the recorded sound fragments, an amplifier 38 for amplifying the decoded sound fragments from the codec 37, and a trumpet 39 for playing the amplified sound fragments from the amplifier 38.

[0017] By using the microphone 36, users can record sound fragments relating to the static digital images such as description or background music and encode them by the codec 37 for storage. After selecting the desired static digital images data, the microprocessor 34 will instruct the codec 37 to decode the sound fragments relating to such images. The decoded sound fragments will then be amplified by the amplifier 38 and played by the trumpet 39. Furthermore, the control circuit unit 30 may also have the functions of alarm and clock. By using the control panel 212, users can set the time and the tinkle of the alarm. When the setup time is reached, the microprocessor 34 will instruct the codec 37 to decode the setup tinkle and play it by the amplifier 38 and the trumpet 39.

[0018] The invention being thus described, it will be obvious that the same may be varied in many ways. Such variations are not to be regarded as a departure from the spirit and scope of the invention, and all such modifications as would be obvious to one skilled in the art are intended to be included within the scope of the following claims.

Claims

1. An electric picture frame for showing static digital images data obtained from a digital image apparatus such as a digital camera or a computer, comprising:

a liquid crystal display for showing the static digital images data;

a strut unit for supporting the liquid crystal display; and

a control circuit unit, which is embedded within the liquid crystal display, for receiving the static digital images data and driving the liquid crystal display to visualize such images data.

2. The electric picture frame of claim 1 wherein the strut unit comprises a base and a movable portion which is used to connect the base and the liquid crystal display for controlling the elevation angle and the rotation angle of the liquid crystal display.

3. The electric picture frame of claim 1 wherein the liquid crystal display comprises an axle, which is used to connect the liquid crystal display to the movable portion.

4. The electric picture frame of claim 2 wherein the base comprises an extensible tube, in which one end is attached to the base and the other end is connected to the movable portion, for adjusting the height and the view direction of the liquid crystal display.

5. The electric picture frame of claim 4 wherein the extensible tube comprises a radial teeth, which is used to connect the movable portion to the base.

6. The electric picture frame of claim 2 wherein the movable portion is a spherical joint.

7. The electric picture frame of claim 1 wherein the control circuit unit comprises:

a transmission interface for receiving the static digital images data;

a decoder for converting the received static digital images data to RGB format data;

a memory for storing the RGB format data decoded by the decoder;

a microprocessor for controlling the transmission interface and the decoder to receive and decode the static digital images data; and

a display driver for driving the liquid crystal display to visualize the RGB format data.

8. The electric picture frame of claim 7 wherein the transmission interface is a RS232 slot or a USB slot.

9. The electric picture frame of claim 7 wherein the transmission interface is a PCMCIA slot a flash card slot or a MO slot.

10. The electric picture frame of claim 7 wherein the decoder is a JPEG decoder.

11. The electric picture frame of claim 7 wherein the memory is a flash memory.

12. The electric picture frame of claim 7 wherein the control circuit unit further comprises:

a microphone for recording sound fragments;

a codec, which is connected to the microphone, for encoding/decoding the sound fragments;

an amplifier for amplifying the sound fragments decoded by the encoder/decoder, and

a trumpet for playing the sound fragments amplified by the amplifier.

13. The electric picture frame of claim 12 wherein the codec is connected to the microprocessor, and by using the microprocessor, the codec can be controlled to encode/decode the sound fragments.

14. An electric picture frame for showing static digital images data obtained from a digital image apparatus such as a digital camera or a computer, comprising:

a liquid crystal display for showing the static digital images data;

a base for supporting the liquid crystal display;

a movable portion, which is used to connect the liquid crystal display and the base for controlling the elevation angle and the rotation angle of the liquid crystal display; and

a control circuit unit, which is embedded within the liquid crystal display, for receiving the static digital images data and driving the liquid crystal display to visualize such images data.

15. The electric picture frame of claim 14 further comprises a extensible tube, in which one end is attached to the base and the other end is connected to the movable portion, for adjusting the height and the view direction of the liquid crystal display.

16. The electric picture frame of claim 14 wherein the liquid crystal display comprises an axle, which is used to connected the liquid crystal display to the movable portion.

17. The electric picture frame of claim 15 wherein the extensible tube comprises a radial teeth, which is used to connected the movable portion to the base.

18. The electric picture frame of claim 14 wherein the movable portion is a spherical joint.

19. The electric picture frame of claim 14 wherein the control circuit unit comprises:

a transmission interface for receiving the static digital images data;

a decoder for converting the received static digital images data to RGB format data;

a memory for storing the RGB format data decoded by the decoder;

a microprocessor for controlling the transmission interface and the decoder to receive and decode the static digital images data; and

a display driver for driving the liquid crystal display to visualize the RGB format data.

20. The electric picture frame of claim 18 wherein the control circuit unit further comprises:

a microphone for recording sound fragments;

a codec, which is connected to the microphone, for encoding/decoding the sound fragments;

an amplifier for amplifying the sound fragments decoded by the encoder/decoder; and

a trumpet for playing the sound fragments amplified by the amplifier.

5

10

15

20

25

30

35

40

45

50

55

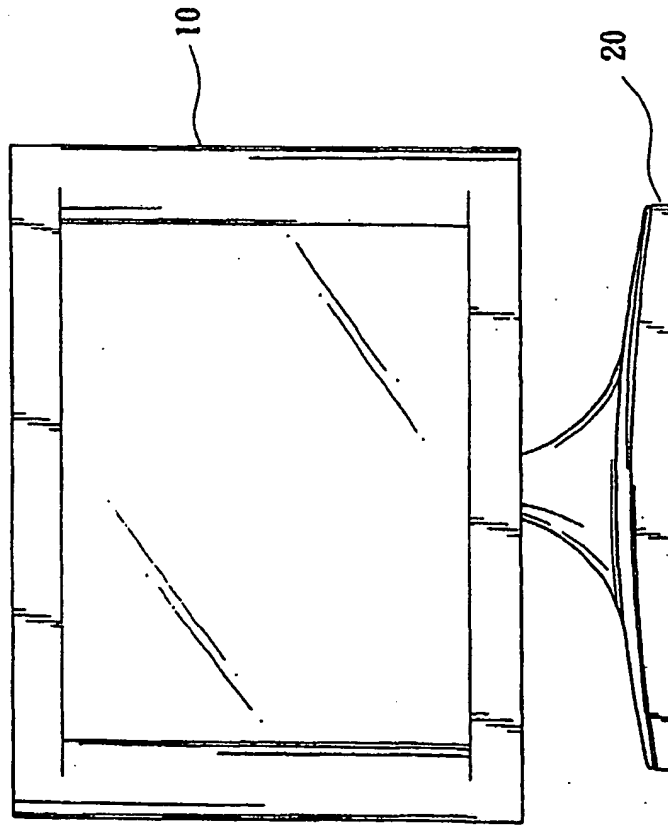


FIG. 1

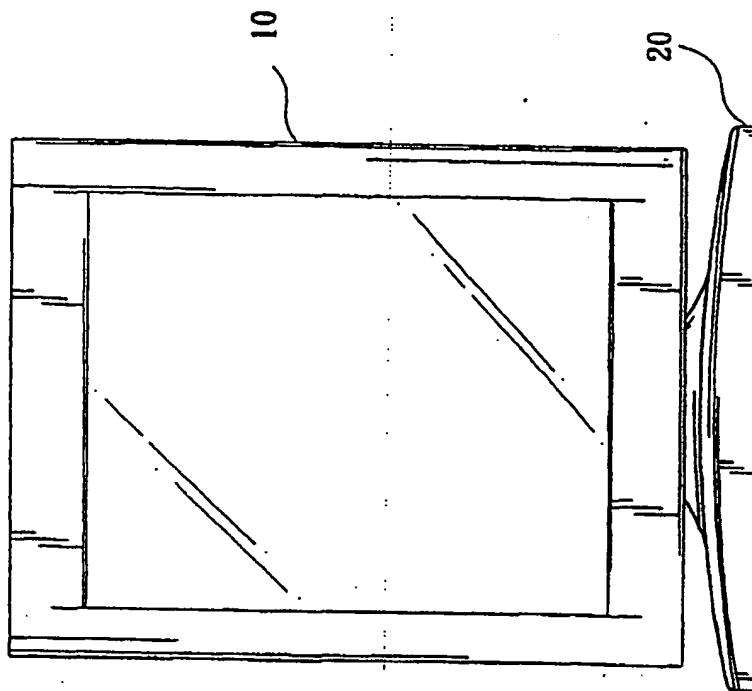


FIG. 2

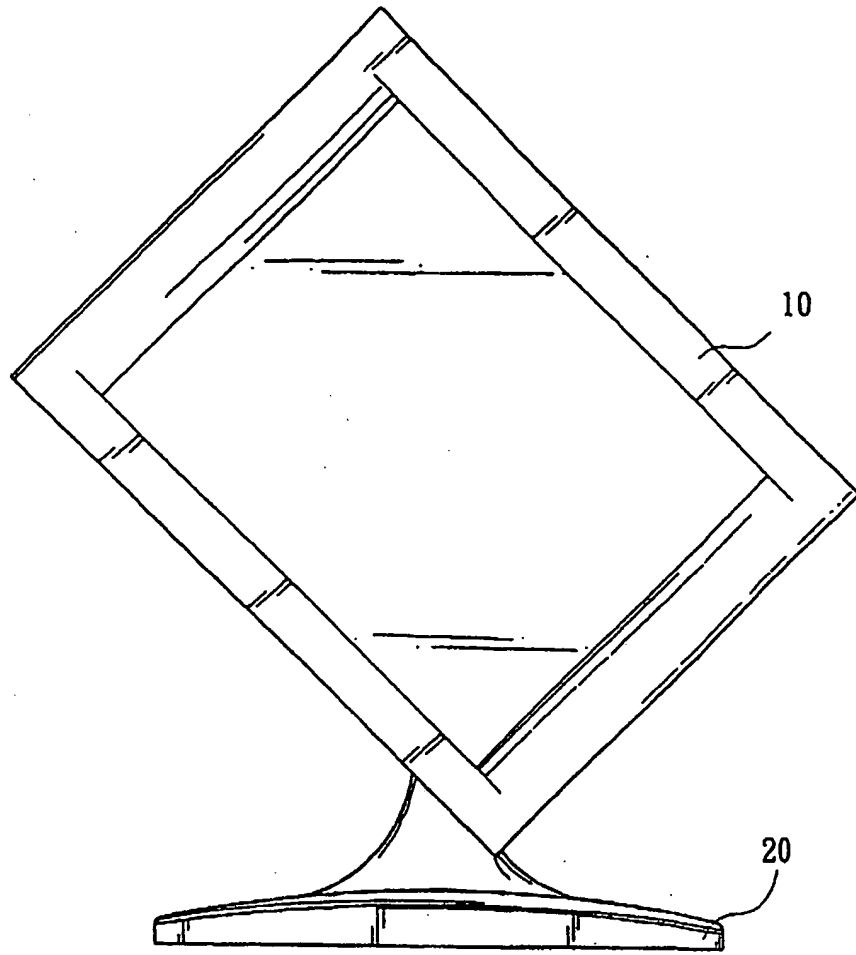


FIG. 3

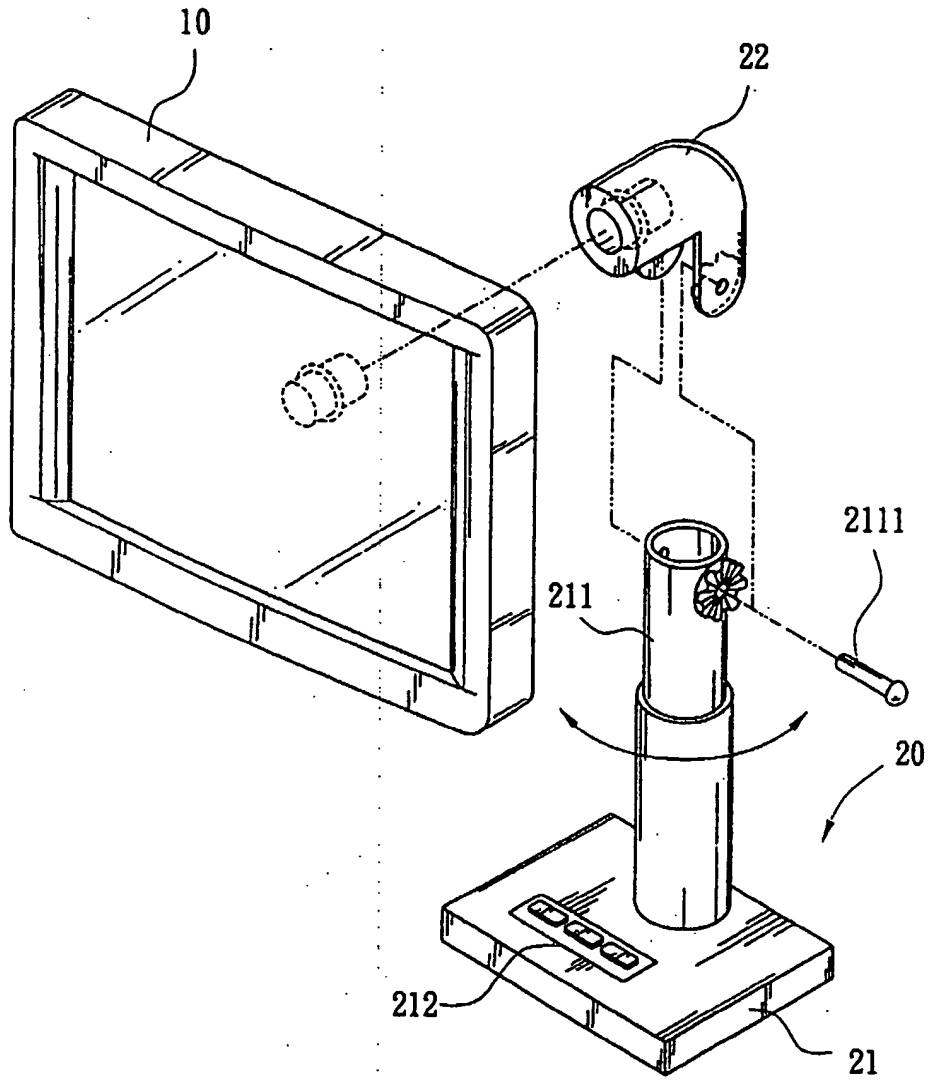


FIG. 4

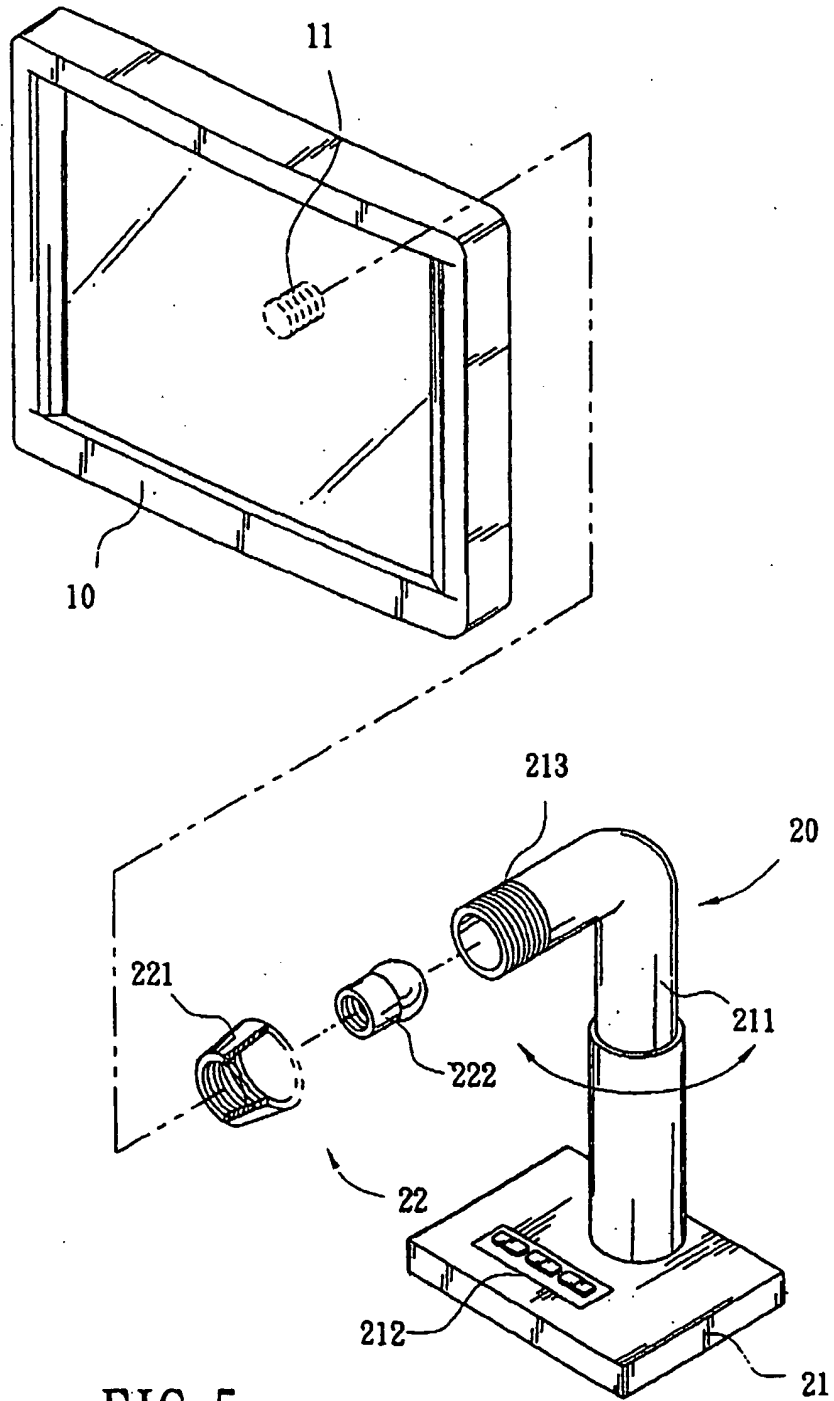


FIG. 5

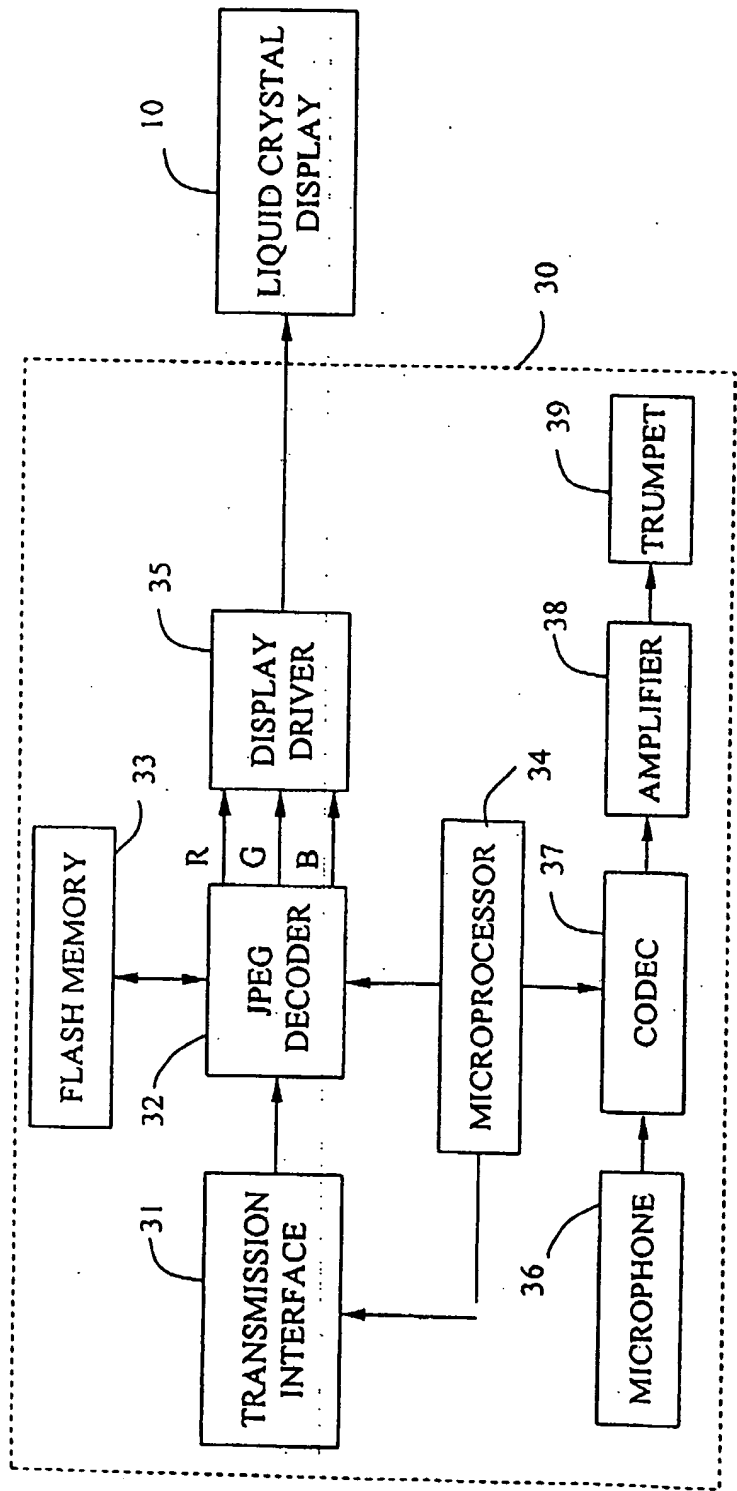


FIG. 6



European Patent Office

EUROPEAN SEARCH REPORT

Application Number
EP 99 11 7496

DOCUMENTS CONSIDERED TO BE RELEVANT			
Category	Citation of document with indication, where appropriate, of relevant passages	Relevant to claim	CLASSIFICATION OF THE APPLICATION (Int.Cl.7)
X A	FR 2 770 725 A (SOURCE DEV) 7 May 1999 (1999-05-07) * abstract * * page 1, line 21 - page 4, line 13; figures 1-6 * * page 8, line 3 - page 9, line 29; figure 7 *	1-3, 14-16 7-9, 19, 20	H04N5/64 F16M11/16 F16M11/12 G06F1/16
Y A	DE 40 27 556 A (LICENTIA GMBH) 5 March 1992 (1992-03-05) * the whole document *	1, 14 2, 15	
Y A	US 5 668 570 A (DITZIK RICHARD J) 16 September 1997 (1997-09-16) * column 2, line 7 - line 57 * * column 5, line 23 - column 6, line 58; figures 1-3 * * column 8, line 38 - line 67; figures 6A, 6B *	1, 14 7-9, 12, 19	
A	US 5 529 265 A (SAKURAI BUNKICHI) 25 June 1996 (1996-06-25) * column 2, line 1 - line 31; figures 1, 3-6 *	1, 6, 14, 18	TECHNICAL FIELDS SEARCHED (Int.Cl.7) H04N G06F F16M
A	PATENT ABSTRACTS OF JAPAN vol. 1995, no. 05, 30 June 1995 (1995-06-30) & JP 07 036567 A (NEC CORP), 7 February 1995 (1995-02-07) * abstract *	1-3, 6, 14, 15, 18	
The present search report has been drawn up for all claims			
Place of search THE HAGUE		Date of completion of the search 24 February 2000	Examiner Fuchs, P
CATEGORY OF CITED DOCUMENTS X : particularly relevant if taken alone Y : particularly relevant if combined with another document of the same category A : technical background O : non-written disclosure P : intermediate document		T : theory or principle underlying the invention E : earlier patent document, but published on, or after the filing date D : document cited in the application L : document cited for other reasons § : member of the same patent family, corresponding document	

EPO FORM 1500 (02.02.99) (P01/01)

**ANNEX TO THE EUROPEAN SEARCH REPORT
ON EUROPEAN PATENT APPLICATION NO.**

EP 99 11 7496

This annex lists the patent family members relating to the patent documents cited in the above-mentioned European search report. The members are as contained in the European Patent Office EDP file on The European Patent Office is in no way liable for these particulars which are merely given for the purpose of information.

24-02-2000

Patent document cited in search report	Publication date	Patent family member(s)	Publication date
FR 2770725 A	07-05-1999	NONE	
DE 4027556 A	05-03-1992	NONE	
US 5668570 A	16-09-1997	NONE	
US 5529265 A	25-06-1996	JP 7016130 A	20-01-1995
JP 07036567 A	07-02-1995	JP 2500769 B	29-05-1996

EPO FORM 0003

For more details about this annex : see Official Journal of the European Patent Office, No. 12/82



19 BUNDESREPUBLIK
DEUTSCHLAND



DEUTSCHES
PATENT- UND
MARKENAMT

12 **Gebrauchsmusterschrift**
10 **DE 200 09 691 U 1**

51 Int. Cl.7:
G 06 F 1/16
A 47 B 19/10

21 Aktenzeichen:	200 09 691.5
22 Anmeldetag:	31. 5. 2000
17 Eintragungstag:	12. 10. 2000
23 Bekanntmachung im Patentblatt:	16. 11. 2000

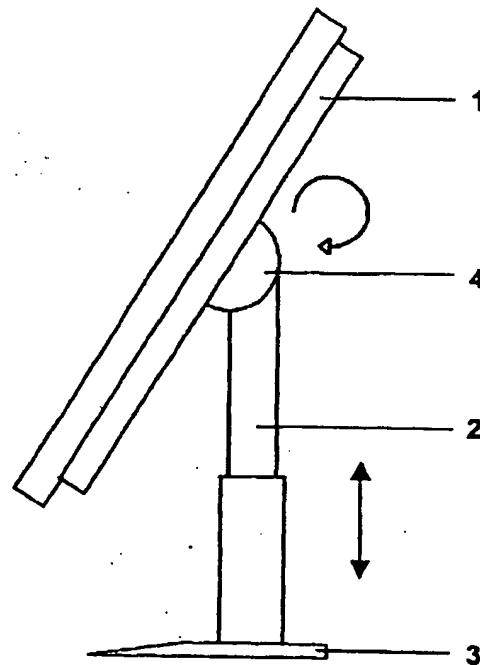
DE 200 09 691 U 1

73 Inhaber:
Dieme, Carsten, Dipl.-Ing. (FH), 33602 Bielefeld, DE;
Dieme, Friedhelm, Dipl.-Ing., 06429 Nienburg, DE

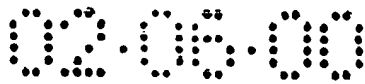
74 Vertreter:
Schulz, M., Dipl.-Ing. (FH), Pat.-Anw., 06780 Zörbig

54 Halterung für Datensichtgeräte, insbesondere für Flachbildschirme

57 Halterung für Datensichtgeräte, insbesondere für Flachbildschirme, dadurch gekennzeichnet, dass der Flachbildschirm auf der Rückseite an einem ersten Drehpunkt horizontal in Bezug zur Aufstellfläche drehbar mit dem Tragarm des Trageständers derart verbunden ist, dass eine stufenlos einstellbare Neigung in der horizontalen bis zur waagerechten Position bei gleichzeitiger Verstellmöglichkeit in der waagerechten Achse möglich ist, wobei beidseitig kein begrenzender Anschlag vorgesehen ist.



DE 200 09 691 U 1



Die 2000/01

Halterung für Datensichtgeräte, insbesondere für schwenkbare Flachbildschirme (FBS)

Die Erfindung betrifft eine Halterung für Datensichtgeräte, insbesondere für Flachbildschirme. (FBS) Dabei ist die Halterung derart ausgebildet, dass arbeitsergonomische Gesichtspunkte für eine flexible Positionierung des Datensichtgerätes besondere Beachtung fanden und dadurch eine dem jeweiligen arbeitsplatzgestalterischen und ergonomischen Bedürfnis des Benutzers gewünschte Anpassung der Stellung des Bildschirms ermöglichen.

Beschreibung

Die vorliegende Erfindung betrifft eine Halterung für Datensichtgeräte wie z.B. Flachbildschirme, LCD-Bildschirme oder TFT-LCD Display im folgenden als FBS bezeichnet. Konventionelle Monitore für Bildschirmarbeitsplätze nehmen auf dem Tisch sehr viel Platz ein, weil sie für die Bilddarstellung eine Katodenstrahl-Röhre benutzen. In jüngster Zeit wurden verschiedene Flachbildschirme entwickelt, welche die Monitore in naher Zukunft ersetzen werden. Sie gewinnen bereits jetzt aufgrund ihrer zahlreichen Vorteile immer mehr an Bedeutung.

Diese neuen Flachbildschirme lassen sich ähnlich wie Monitore nur eingeschränkt in ihrer Lage verändern. Sie haben im wesentlichen die nur geringen Verstellmöglichkeiten der traditionellen Röhrenbildschirme übernommen. Die Gestaltung der Ständer insbesondere der Füße gestattet nicht eine Anordnung des Bildschirms am arbeitsergonomisch günstigsten Ort.

Es wurden in der Vergangenheit schon Vorschläge zur arbeitsergonomischen Gestaltung von Computerarbeitsplätzen oder Textbearbeitungsplätzen unterbreitet. So ist aus der DE-A-40 27 556 eine Schwenkeinrichtung mit einem schwenkbaren Tragarm bekannt. Diese Lösung ist dadurch gekenn-



zeichnet, dass auf einer Standfußplatte eine Lagerbuchse aufrecht fest angeordnet ist. Mittels eines angepassten Lagerarmes und mittels einer Hemmfedern, die sich in einer entsprechend ausgebildeten Lagerbohrung befindet, wird zum einen die Schwenkbarkeit des Lagerarmes und zum anderen eine ausreichende Fixierung bei der gewünschten Stellung erreicht. Die Schwenkbarkeit ist dabei derart eingeschränkt, dass bei feststehender Standfußplatte der Lesebereich vom Lesenden weg oder auf ihn zu möglich ist. Dabei verändert sich zwangsläufig der Winkel des Lesebereichs in Bezug zur Betrachtungsperson. Dies ist auch nicht zu kompensieren durch die horizontale Schwenkmöglichkeit des Lesebereichs. Die Arbeitsanweisung lässt offen, wie beispielsweise Bildschirme (Es gibt keine Einschränkung hinsichtlich der Bildschirmart), insbesondere herkömmliche Röhrenbildschirme mittels der vorgeschlagenen Lösung gehalten werden sollen. Diese Schwenkeinrichtung eignet sich sicher zur Anordnung von Lesevorlagen an Bildschirmarbeitsplätzen. Für die arbeitsergonomisch günstigste Befestigung von Bildschirmen eignet sich sicher diese Schwenkeinrichtung nur bedingt.

Entsprechend den Grundsätzen der Ergonomie bei der Arbeit mit Bildschirmgeräten muss dieser zur Anpassung an die individuellen Bedürfnisse des Benutzers frei und leicht drehbar und neigbar sein. Er soll diese Einstellungen nach Erreichen des günstigsten Winkels horizontal und vertikal sicher beibehalten. Weiter soll eine Aufstellmöglichkeit in der Nähe der Tastatur möglich sein. Wegen der Bauart bedingt hohen Ansprüche an die exakte Einstellung des individuellen Blickwinkels ist eine leichte und stufenlose Verstellbarkeit des FBS um eine (Quer)-Achse wesentliche Voraussetzung für den ergonomisch günstigen Einsatz. Eine exakte Einstellung des Blickfallwinkels verschiedener Benutzer durch leichtgängige und stufenlose Verstellbarkeit des Bildschirmes um die Querachse als wesentliche Voraussetzung für den ergonomischen Einsatz.



Aufgabe der Erfindung ist es, eine Halterung für Datensichtgeräte, insbesondere für Flachbildschirme (FBS) anzugeben, die eine freie Verstellbarkeit in horizontaler und vertikaler Richtung in einem Bereich ermöglicht, der weit über dem Bereich der derzeit bekannten Lösungen liegt. Die besondere Ausgestaltung des Fußes der Halterung soll eine sehr nahe Aufstellmöglichkeit in der Nähe der Tastatur ermöglichen. Besonders vorteilhaft wäre die Möglichkeit einer gleichzeitigen Einstellbarkeit des exakten Blickeinfallswinkels für den jeweiligen Benutzer.

Diese Aufgabe wird erfindungsgemäß dadurch gelöst, dass der FBS auf der Rückseite an einem ersten Drehpunkt in üblicher Weise neigbar mit dem Tragarm der Tragekonstruktion (Trageständer) derart befestigt ist, dass eine stufenlos einstellbare Neigung von der horizontalen bis zur waagerechten Position möglich ist. Hierbei ist kein begrenzender Anschlag vorgesehen. (Anspruch 1)

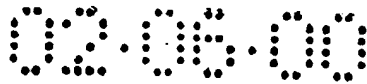
Besonders bevorzugt ist dabei ein Drehgelenk, das eine stufenlose Neigungsverstellung um die horizontale Achse ermöglicht. (Anspruch 3)

Der Tragarm ist am Trageständer an einem zweiten Drehpunkt befestigt. Damit ist auch hier eine Verstellmöglichkeit gegeben, die eine weitere positive Wirkung hinsichtlich der arbeitsergonomischen Anordnung des Bildschirms bewirkt. (Anspruch 2)

Auch dieser Drehpunkt wird in konventioneller Bauweise als Drehgelenk ausgeführt. (Anspruch 3)

Der Trageständer für den FBS ist vorzugsweise so ausgeführt, daß sich der Schwerpunkt vom FBS konzentrisch vom Fuß befindet, um die Kippsicherheit zu erhöhen. (Anspruch 4)

Die Fußgestaltung der Tragekonstruktion erfolgt auf der Vorderseite des Flachbildschirmes möglichst flach, um die Möglichkeit zu erhalten, den FBS



nahe im Blickfeld positionieren zu können. Da die Eingabetastaturen für Bildschirmarbeitsplätze geneigt aufgestellt werden sollen, ist der Fuß so ausgeführt, dass er bis unter diese gerückt werden kann. (Anspruch 5)

Dabei ist es möglich, die Höheneinstellung des Flachbildschirmes so zu wählen, dass die freie Sicht auf die Tastatur erhalten bleibt. In einer besonders vorteilhaften Ausgestaltung ist daher der Tragarm höhenverstellbar. (Anspruch 6) Dies kann wiederum in an sich bekannter Weise durch Gestaltung des Arms als Teleskop erfolgen. (Anspruch 7) Andere Höhenverstelleinrichtungen sind hinlänglich bekannt. Es wird daher verzichtet, weiter auf diese Möglichkeiten einzugehen.

Ausführungsbeispiele:

Die Erfindung wird nachstehend an zwei Ausführungsbeispielen beschrieben.

Es zeigen:

Figur 1: eine Halterung für Datensichtgeräte mit einem Flachbildschirm und zwei Drehpunkten

Figur 2: eine Halterung für Datensichtgeräte mit einem Flachbildschirm mit einem Drehpunkt und einem als Teleskop ausgeführten Tragarm

In Figur 1 ist eine Halterung für Datensichtgeräte mit einem Flachbildschirm 1 und zwei Drehpunkten 4, 5 dargestellt. Der Flachbildschirm 1 ist über das Drehgelenk 4 mit dem Tragarm 2 verbunden. Der Tragarm 2 ist über ein zweites Drehgelenk 5 mit dem Fuß 3 der Tragekonstruktion verbunden. Die Ausführung des Fußes 3 der Tragekonstruktion ist so flach und Spitz nach vorn auslaufend, dass er unter eine schräg angestellte Eingabetastatur, die nicht dargestellt ist, gerückt werden kann.



In Figur 2 ist eine Halterung für Datensichtgeräte mit einem Flachbildschirm 1 und einem Drehpunkt 4 dargestellt. An dem flach ausgeführten Fuß 3 ist der Tragarm 2 angeordnet, der in diesem Beispiel als Teleskop ausgebildet ist. Der Drehpunkt 4 ist wieder als Drehgelenk ausgeführt. Die Höhenverstellbarkeit ist mit dem beidseitigen Pfeil dargestellt. Die Bewegbarkeit des Drehgelenks mit dem bogenförmigen Pfeil.

Die beschriebenen Ausführungsformen schränken den Erfindungsgedanken der vorliegenden Erfindung nicht ein. Es ist zu verstehen, dass verschiedene Modifikationen und Veränderungen möglich sind, die ebenfalls zum Gegenstand der vorliegenden Arbeitsanweisung gehören.

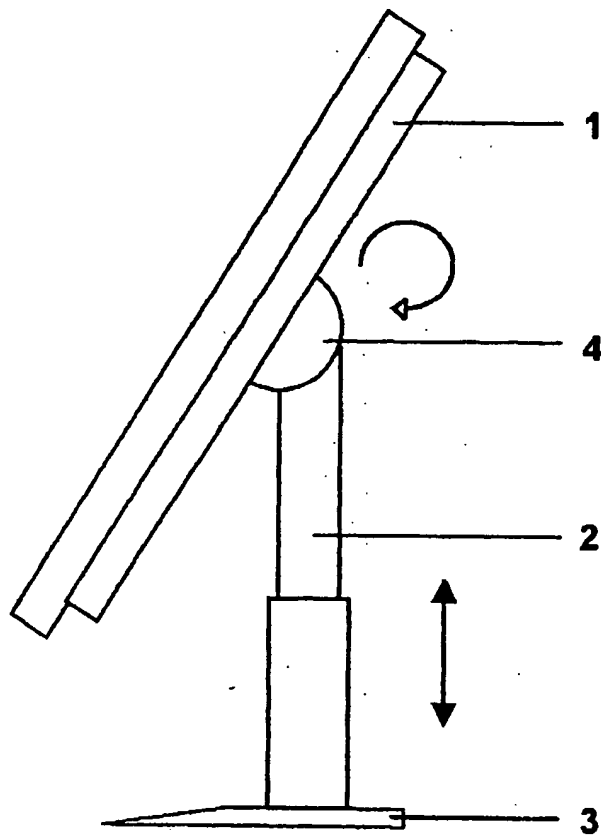
Schutzansprüche

1. Halterung für Datensichtgeräte, insbesondere für Flachbildschirme, dadurch **gekennzeichnet**, dass der Flachbildschirm auf der Rückseite an einem ersten Drehpunkt horizontal in Bezug zur Aufstellfläche drehbar mit dem Tragarm des Trageständers derart verbunden ist, dass eine stufenlos einstellbare Neigung in der horizontalen bis zur waagerechten Position bei gleichzeitiger Verstellmöglichkeit in der waagerechten Achse möglich ist, wobei beidseitig kein begrenzender Anschlag vorgesehen ist.
2. Halterung für Datensichtgeräte nach Anspruch 1, dadurch **gekennzeichnet**, dass der Tragarm am Trageständer an einem zweiten Drehpunkt befestigt ist, der ebenfalls frei beweglich und ohne begrenzende Anschläge ausgeführt ist, wodurch eine zusätzliche stufenlose Verstellmöglichkeit gegeben ist, die eine weitere positive Wirkung hinsichtlich der arbeitsergonomischen Anordnung des Bildschirms bewirkt.
3. Halterung für Datensichtgeräte nach einem der Ansprüche 1 und/oder 2, dadurch **gekennzeichnet**, dass der Drehpunkt als Drehgelenk derart ausgeführt ist, dass eine Neigung in Richtung der horizontalen Achse ermöglicht wird.

4. Halterung für Datensichtgeräte nach Anspruch 1 bis 3,
dadurch gekennzeichnet, dass der Trageständer vorzugsweise so ausgeführt ist, dass sich der Schwerpunkt vom Datensichtgerät konzentrisch vom Fuß befindet, um die Kippsicherheit zu erhöhen.
5. Halterung für Datensichtgeräte nach Anspruch 1 bis 4,
dadurch gekennzeichnet, dass der Fuß der Tragekonstruktion in Richtung zur Vorderseite des Datensichtgerätes möglichst flach ausgeführt ist, um die Möglichkeit zu erhalten, den Bildschirm nahe im Blickfeld zu positionieren, wobei dies dadurch erreicht wird, dass der Fuß der Tragekonstruktion vorzugsweise unter die geneigt aufgestellte Eingabetastatur gerückt wird.
6. Halterung für Datensichtgeräte nach Anspruch 1 bis 5,
dadurch gekennzeichnet, dass der Tragarm höhenverstellbar ist, wodurch die Höheneinstellung des Datensichtgerätes so wählbar ist, dass die freie Sicht auf die Tastatur in jeder Einstellung erhalten bleibt.
7. Halterung für Datensichtgeräte nach Anspruch 6,
dadurch gekennzeichnet, dass der Tragarm als Teleskoparm ausgebildet ist.

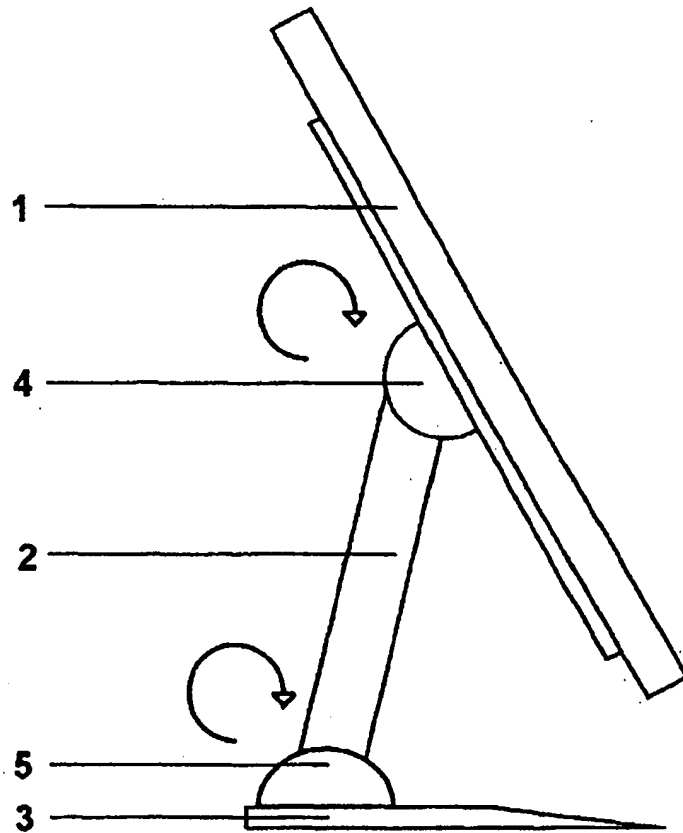
14 08 00

Fig.1



DE 200 09 691 U1

Fig.2



**This Page is Inserted by IFW Indexing and Scanning
Operations and is not part of the Official Record**

BEST AVAILABLE IMAGES

Defective images within this document are accurate representations of the original documents submitted by the applicant.

Defects in the images include but are not limited to the items checked:

- BLACK BORDERS
- IMAGE CUT OFF AT TOP, BOTTOM OR SIDES
- FADED TEXT OR DRAWING
- BLURRED OR ILLEGIBLE TEXT OR DRAWING
- SKEWED/SLANTED IMAGES
- COLOR OR BLACK AND WHITE PHOTOGRAPHS
- GRAY SCALE DOCUMENTS
- LINES OR MARKS ON ORIGINAL DOCUMENT
- REFERENCE(S) OR EXHIBIT(S) SUBMITTED ARE POOR QUALITY
- OTHER: _____

IMAGES ARE BEST AVAILABLE COPY.

As rescanning these documents will not correct the image problems checked, please do not report these problems to the IFW Image Problem Mailbox.